

## Vico Ultra Jet 2 Speed Pump

**10-130-10**



Replaces  
PEUL2H or PUUL5C2

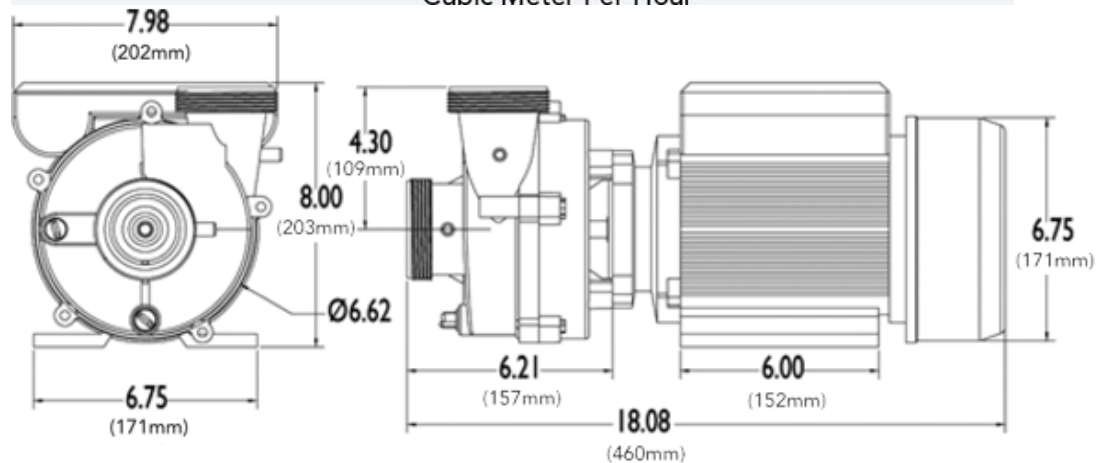
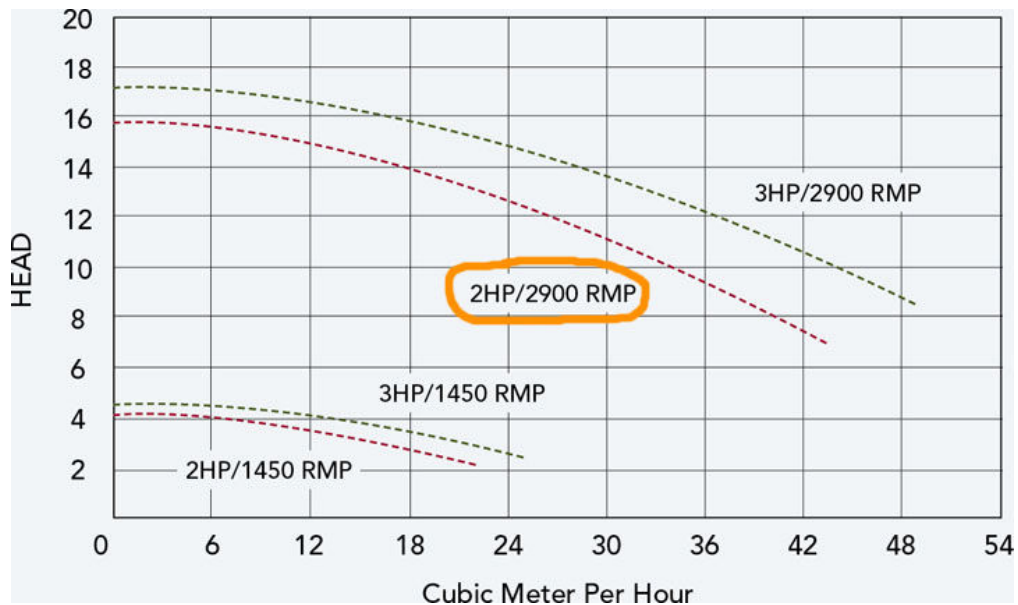
**BALBOA.**  
water group

### Description

Vico Ultra Jet 2 speed Pump – Now made & supplied by Balboa Water Group using a new improved motor more suited to the UK power supply. It replaces the old style motor which had a smooth cylindrical body. Make sure you have enough room to fit the new pump as the motor body is slightly larger than the old version!

### Specifications

- 2 speed 2Hp motor
- 230V 50Hz
- 1.9 Amps low speed & 9 Amps high speed
- 1400 (Low) / 2800 (High)
- Center suction / radial side discharge orientation
- Suction Port: . . . . . 3" Buttress thread
- Discharge Port: . . . . . 3" Buttress thread
- Mechanical Seal: . . . . . Carbon ceramic with Viton® elastomers
- Amp Cord included
- IPX5
- Length x Height x Width = 460mm x 200mm x 200mm



## Features

- High flow rates exceeding 325 gallons per minute for maximum performance in your luxury applications
- All seals are carbon ceramic with Viton® elastomers for long-lasting performance, easily enduring prolonged heat and chemical exposure
- Multi-directional volute mountings provide the flexibility to accommodate any configurations
- Reliable performance and long service life for more enjoyable ownership

---

## Approvals

- UL, TUV, CSA, and CE/VDE/GS certified

---

## Help & Advice

Make sure you have enough room to fit the new pump as the motor body is slightly larger than the old version!

Associated codes = PEUL2H or PUUL5C2

Associated Refs = Franklin Electric

If you are unsure or would like advise please don't hesitate to contact us on 01326 371488